

lindapter[®]

Established 1934

**Clamping Solutions for the
Circular Economy**

Presented by

Gert-Jan Houkes

Regional Sales Manager

BeNeLux & Eastern Europe

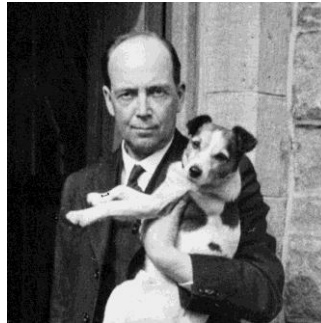


Steelwork Connection Specialists since 1934

Founded by Henry Lindsay, an
Engineer from Bradford

Henry invented the 'Lindsay Bolt
Adapter' to clamp steel beams

Grown from a family run business
to a reputable global brand



LINDSAY PATENT Patents No. 41100, 461953, 480517, 483121, **LINDAPTER** **BOLT ADAPTORS** 491209, 503181, 512906, others pending

RIGID FIXING WITHOUT DRILLING

LINDAPTER MAGIC

Type A
Type B
Type C
Type D
Type E

Roof Truss to Beam
Purlins to Roof Truss
Stanchions and Runner Beams
Palisading or Piling

Works Manager: Hallo! you back a week sooner than expected; how's that?
Erector: It was those Lindapters that cut out all the drilling.

LINDSAY BOLT ADAPTERS MAGNIFY THE VAST UTILITY OF THE ORDINARY BOLT

HENRY LINDSAY LTD. 47, QUEEN'S ROAD, BRADFORD

TELEGRAMS: LINDSAY phone BRADFORD (Please refer to "The Engineer") TELEPHONE: BRADFORD 5657



WELDING

Traditional Method



LINDAPTER

The Alternative Method



DRILLING & BOLTING

Traditional Method





Our current economy takes materials from the Earth, makes products from them, and eventually throws them away as waste – the process is linear.

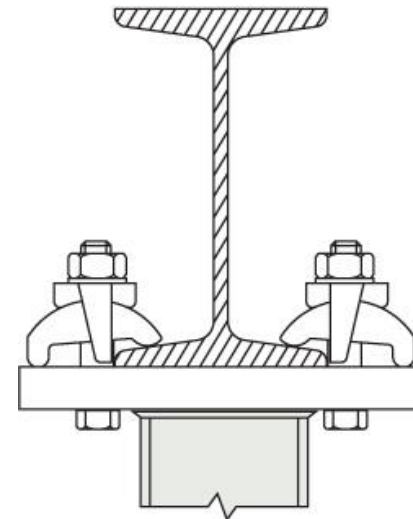
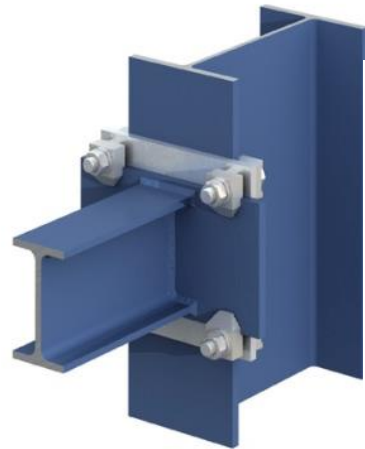
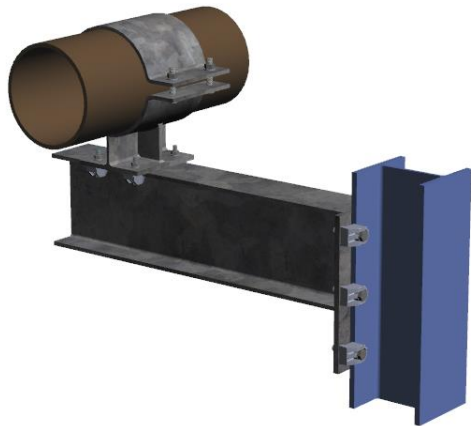
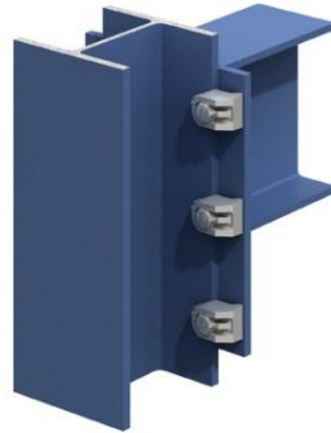
In a Circular Economy, we **stop waste being produced** in the first place.

The Circular Economy is based on three principles, driven by design

- Eliminate waste and pollution
- Circulate products and materials (at their highest value)
- Regenerate nature

Reference: **The Ellen MacArthur Foundation**. Accelerate the transition to a circular economy.





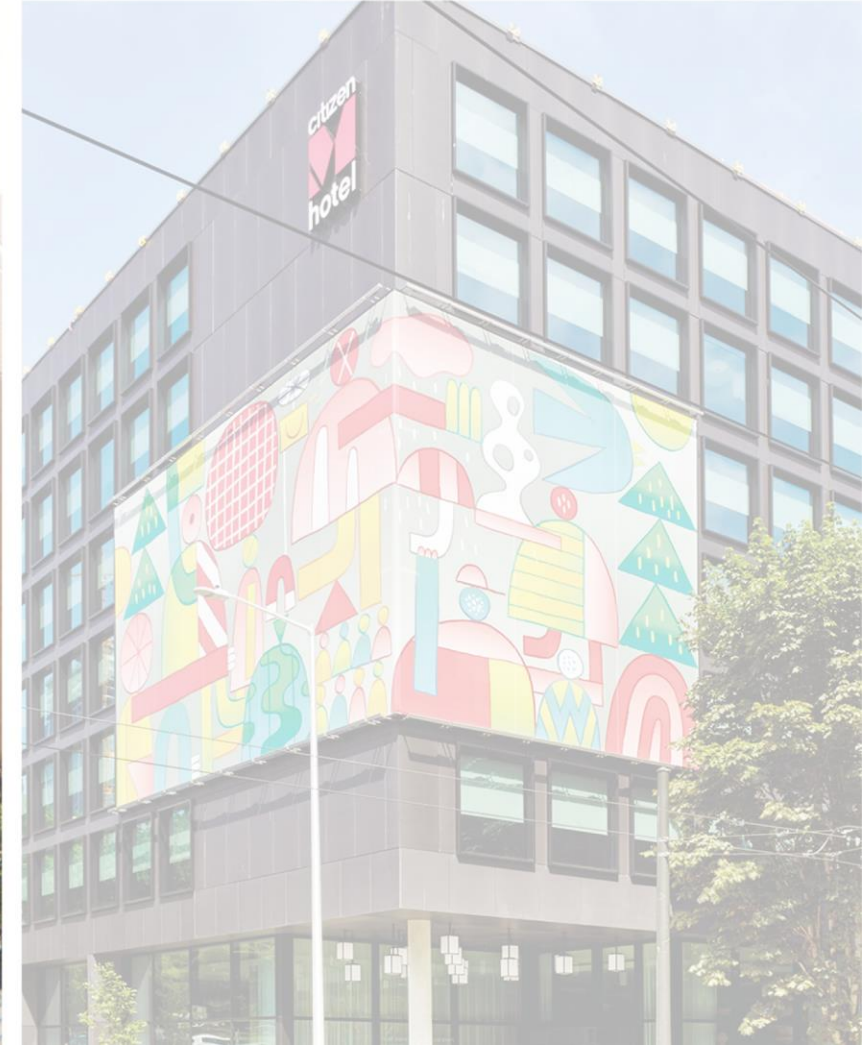
**LONDON ST PANCRAS
STATION, UK**



**ARUP CIRCULAR BUILDING,
UK**



**CITIZEN M HOTEL,
USA**







THE CHALLENGE

Attached exterior panelling back to steelwork structure

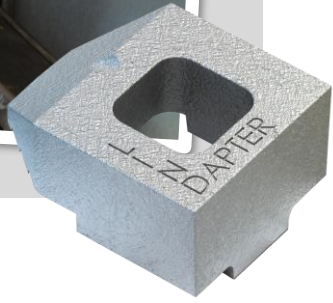
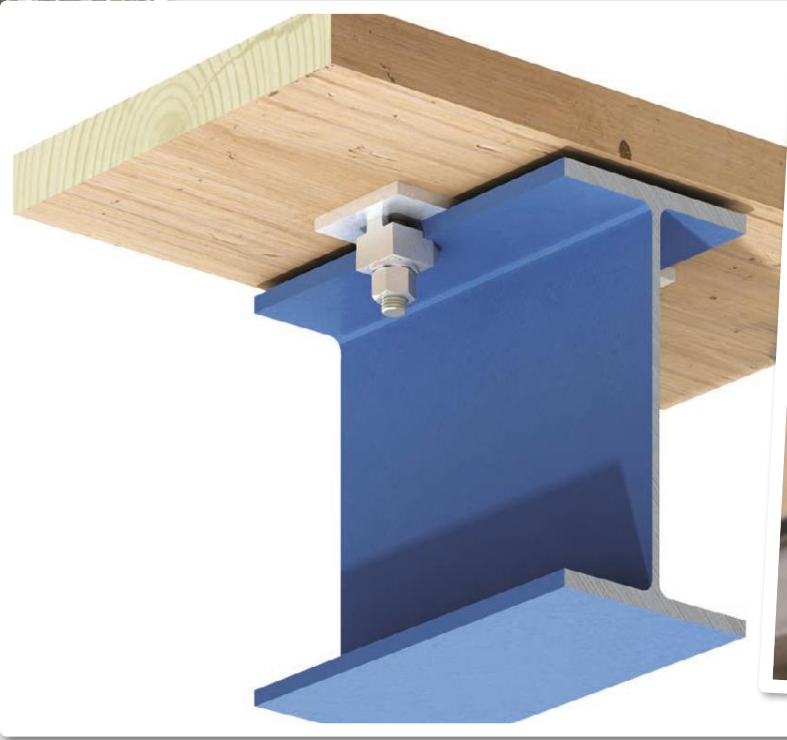
Problem 1:
Hot Works
not permitted

Problem 2:
Design for
deconstruction

Problem 3:
Incorporates
the principles of
'The Circular
Economy'

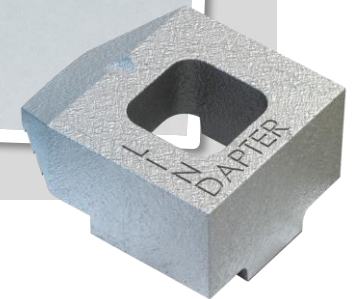
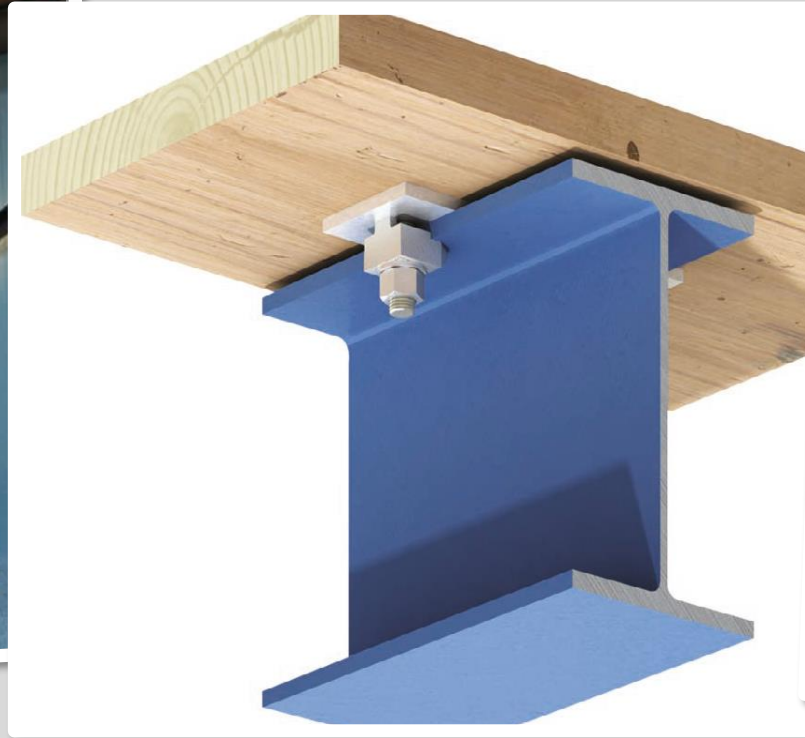


CONSTRUCTION





DECONSTRUCTION



RESULTS

Exterior panelling successfully fixed to the structure. Innovative Clamped system allowed for **easy deconstruction**

Rapid installation with reduced labour costs

Easy on-site adjustment

All components were easily deconstructed

The building was reconstructed at several locations



ARUP

“I was greatly impressed with the technical support provided by Lindapter, in particular, the attention to detail and their engagement with the project allowed for a solution that not only met the engineering and architectural needs but also met the criteria for the circular economy.”

Tom Clewlow, Arup Structural Engineer

**LONDON ST PANCRAS
STATION, UK**



**ARUP CIRCULAR BUILDING,
UK**

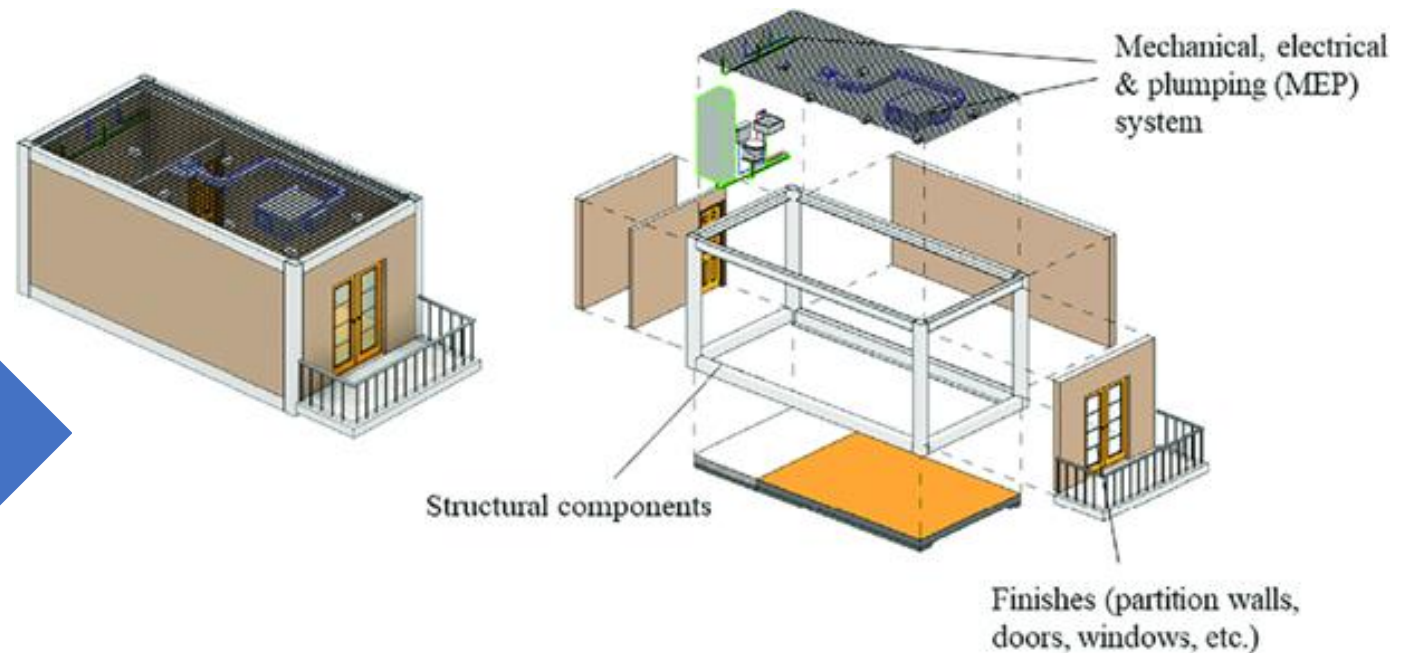


**CITIZEN M HOTEL,
USA**

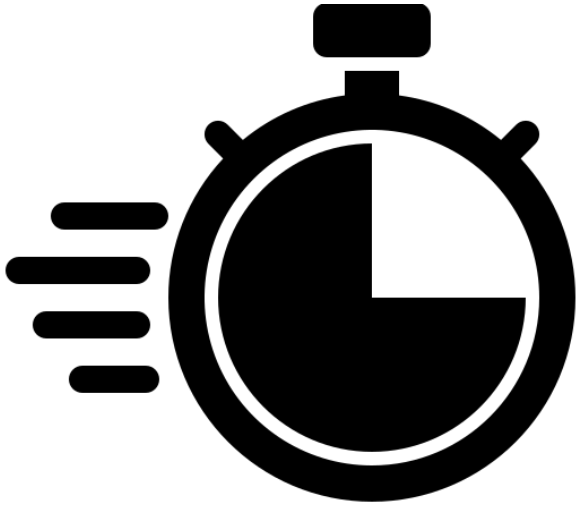


What is Modular Construction?

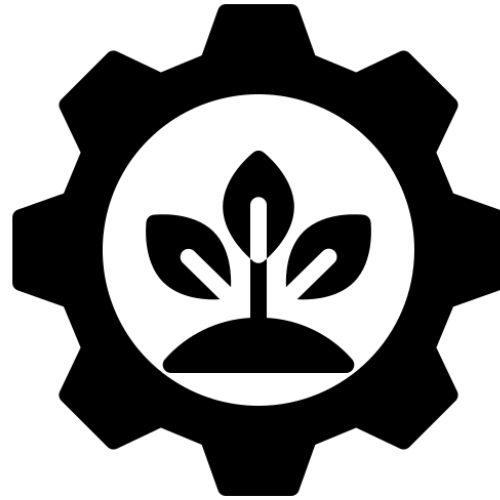
Off-site construction in which a building's components or modules are constructed in a factory setting before being transported to site for assembly



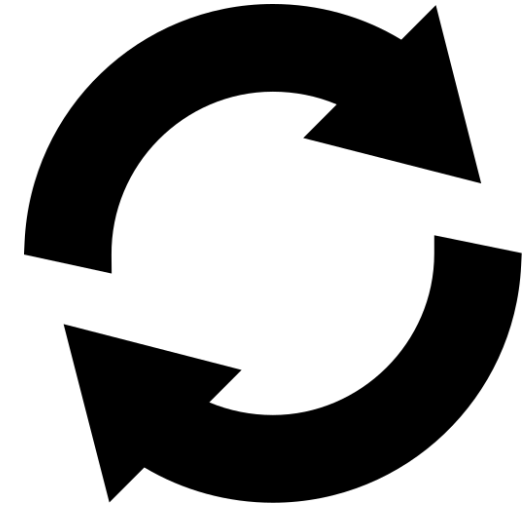
Benefits of Modular Construction...



FASTER

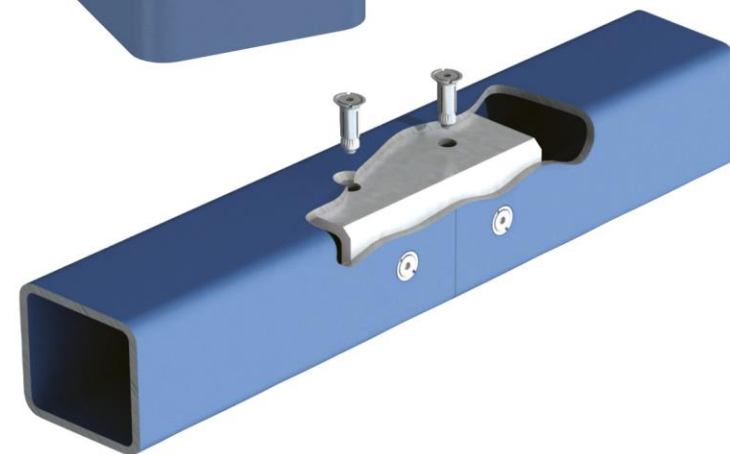
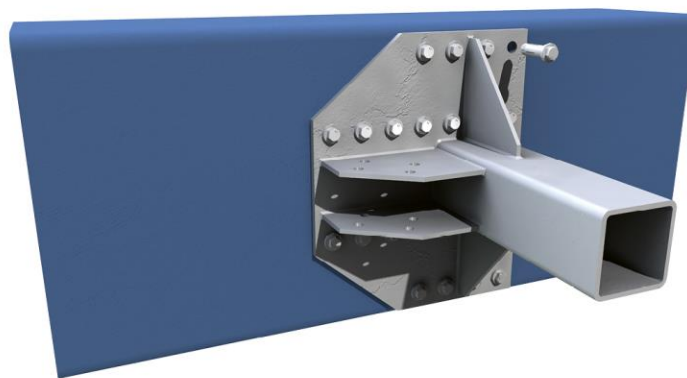
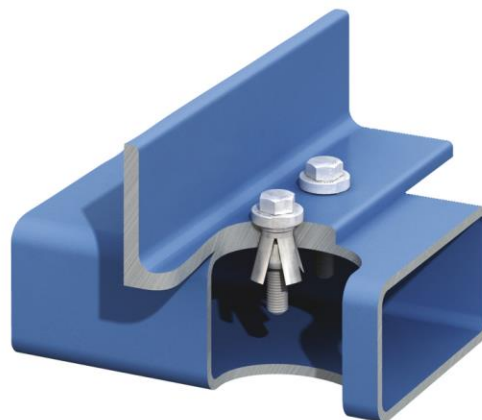


GREENER



SMARTER

HOLLO-BOLT[®]
(FOR SHS)



HB vs Welding

- ✓ No welding required
- ✓ No hot work or skilled labour
- ✓ Hand tool installation



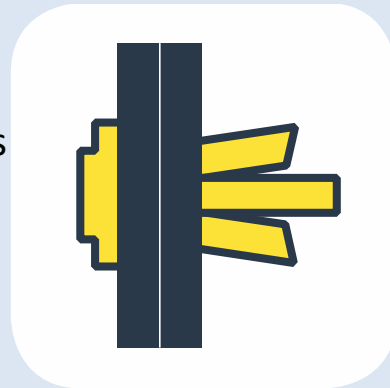
HB vs Brackets & Strapping

- ✓ Neat connection
- ✓ Fast installation
- ✓ High shear & tension resistance



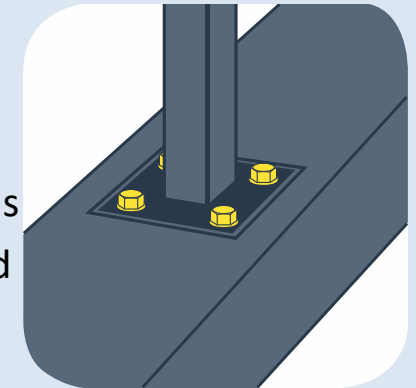
HB vs Through Bolting

- ✓ Suitable for SHS & other sections
- ✓ Guaranteed safe working loads
- ✓ Expands within section



HB vs Cutting Access Holes

- ✓ One side only installation
- ✓ Structural SHS integrity remains
- ✓ Architectural benefits unaffected







THE CHALLENGE

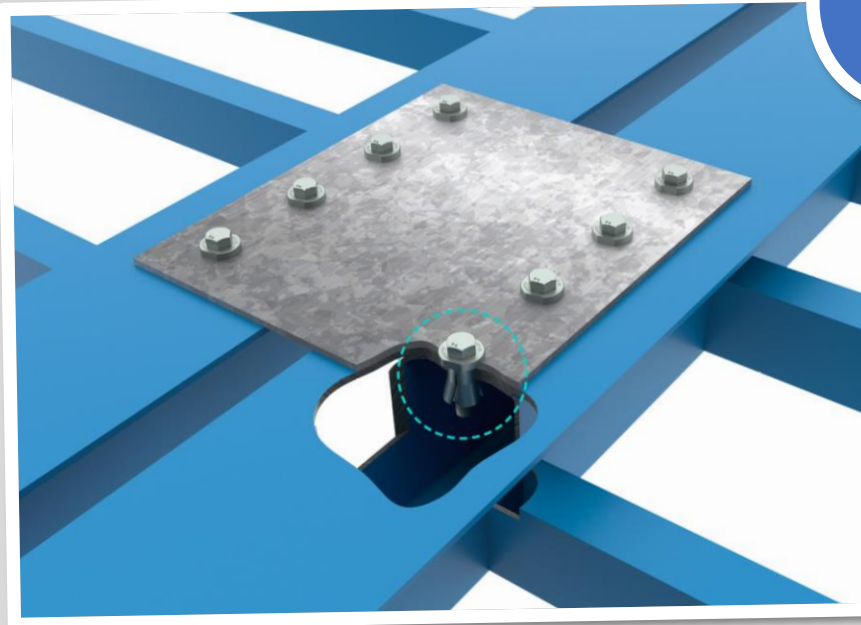
How to quickly and safely connect modular hotel units on-site

Client Requirement 1:
Quick method of connecting modules on-site

Client Requirement 2:
Weld-free connection to avoid damage

Client Requirement 3:
Independently approved connection

**CONNECTION
SOLUTION**



- Steel structural shear plate
- Independently approved high strength connection







RESULTS

**All off-site hotel room modules were
successfully installed**

**Drill and weld
free connection**

**Convenient
installation with
access only
required from
one side**



**Thank You For Listening
And
Enjoy the rest of the Day!**



For general enquiries call
+44 1274 521444



For technical support email
support@Lindapter.com



For product literature visit
www.Lindapter.com



You can also follow Lindapter on LinkedIn and watch
product installation videos on our YouTube channel

